

Torque Wrenches

HYDRAULIC

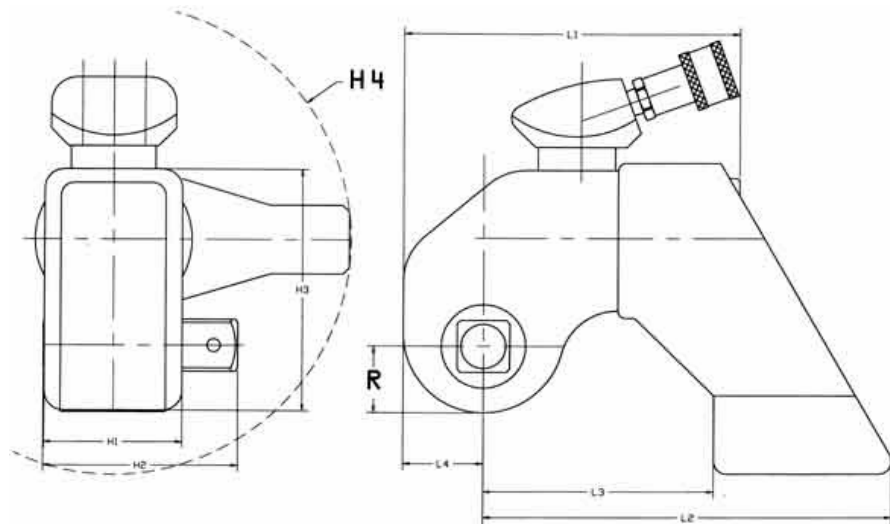
SQV Series

HYDRAULIC TORQUE WRENCH - DOUBLE-ACTING SQUARE DRIVE

The SQV Series Hydraulic Torque Wrench, with sturdy uni-body design and anti-lock pawl system, is a field-proven mechanism perfected over the years. The best alloys available combined with safety-orientated engineering and precision machining make the SQV Wrench the one others are compared to for safety, simplicity, accuracy, quality and economy pricing.

HYDRAULIC TORQUE WRENCHES

- 360 degree uni-swivel
- 60-point, 360 degree reaction arm
- One piece, bind free, push-through square drive
- Exclusive radius, throat and head contour for fit
- Long stroke design with anti-lock feature
- Hand-free operation for safety



Tool Model	Square Drive	Min—Max Torque Ft.lbs	Weight lbs	L1	L2	L3	L4	H1	H2	H3	H4	R
SQVP6	3/4"	106 - 710	3.15	4.08"	4.95"	2.77"	0.99"	1.64"	2.46"	2.96"	2.83"	0.83"
SQV-2	3/4"	175 - 1150	4.45	4.90"	5.94"	3.39"	1.15"	1.97"	2.76"	3.51"	3.36"	0.96"
SQV-4	1"	455 - 3015	9.90	6.37"	7.76"	4.37"	1.53"	2.63"	3.71"	4.68"	4.49"	1.28"
SQV-8	1 1/2"	1230 - 8555	22.55	8.66"	10.53"	5.92"	2.06"	3.57"	5.16"	6.54"	6.09"	1.83"
SQV-12	1 1/2"	1650 - 11000	29.50	9.56"	11.64"	6.54"	2.28"	3.94"	5.54"	7.03"	6.74"	1.92"
SQV-30	2 1/2"	4448 - 29650	67.20	13.51"	16.62"	9.35"	3.28"	5.64"	8.21"	10.08"	9.70"	2.77"