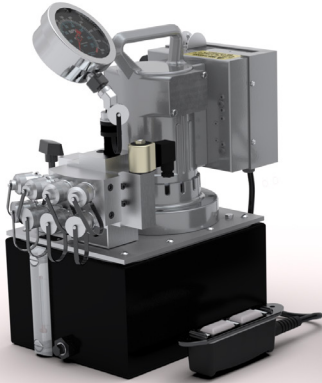


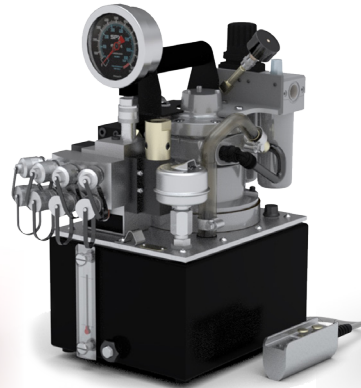
The Legacy Continues... SPX Torque Pumps, Trusted for over 40 Years.



SPX-115
SPX-230
Classic Electric



SPX-115CF
SPX-230CF
Classic Electric with
Cooling



SPX-AIR
Classic Air



SPX-115Q
SPX-230Q
Quiet

Available in Q4

For over 40 years, SPX has provided OEM torque pumps to the industry. If you like your pump, you can keep your pump whether you need repair or replacement. We are the OEM – we can keep that promise.

pumps.



Classic Series Electric

Hydraulic Torque Wrench Pump

- Two-speed high performance pump
- External adjustable pressure regulator
- Retract side internal relief valve protects tool
- Use for double or single acting tools
- Four-tool manifold allows use of up to four tools simultaneously
- Optional Cooling Fan (CF models only)

Classic Series Air

Hydraulic Torque Wrench Pump

- Use where air is the preferred source of power
- Powerful 3 hp motor starts under load
- External adjustable pressure regulator
- Retract side internal relief valve protects tool

Classic Series Quiet Electric

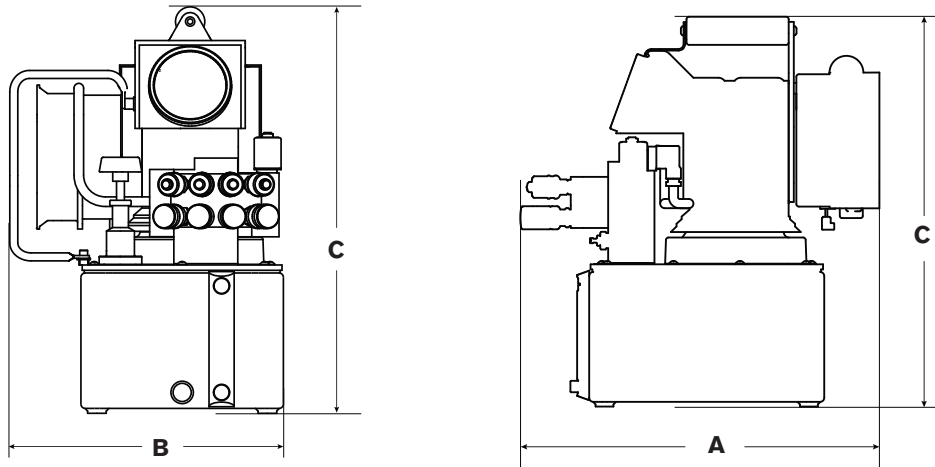
Hydraulic Torque Wrench Pump

- Same features and benefits of classic series with noise absorbing polymer shell

All Models Come Standard with:

- Calibratable gauge
- 1- 15 ft. Torque Wrench Hose
- 2 gallons Power Team Hydraulic Oil
- Hand Remote

Specifications and Dimensional Data



Model	Oil Delivery per Min.				Oil Reservoir		Usable Oil		Overall Length		Overall Width		Overall Height		Pump Weight (with oil)	
	@100 PSI (6.9 Bar)		@10,000 PSI (690 Bar)						A		B		C			
	cu in	L	cu in	L	gal	L	gal	L	in	mm	in	mm	in	mm	lb	kg
SPX-115	704	11.5	56	0.9	2.5	9.5	1.9	7.2	17.5	445	9.5	241	18.5	470	67	30.5
SPX-230	704	11.5	56	0.9	2.5	9.5	2	7.6	17.5	445	9.5	241	18.5	470	72	32.7
SPX-115-CF	704	11.5	56	0.9	2.5	9.5	1.9	7.2	17.5	445	12.8	325	19	483	72.5	33
SPX-230-CF	704	11.5	56	0.9	2.5	9.5	2	7.6	17.5	445	12.8	325	19	483	77.7	35.3
SPX-115Q	720	11.8	56	0.9	2.7	10.2	1.5	5.7	20	508	8.5	216	18.75	476	78	35.5
SPX-230Q	720	11.8	56	0.9	2.7	10.2	1.5	5.7	19.75	502	8.5	216	18.75	476	79	35.9
SPX-AIR	640	10.5	56	0.9	2.5	9.5	1.9	7.2	15.75	400	9.5	241	20	508	69	31.4

SALES, SERVICE, AND RENTAL CENTERS

Houston

3030 E. Pasadena Frwy
Pasadena, TX 77503 USA
Tel: +1 713 472 2500
Fax: +1 713 472 2501
houston@spxboltingsystems.com

Shanghai, China

No. 1568 Hua Shan Road
Treasury Building, 11th Floor
Shanghai 200052, China
Tel: +86 21 2208 5888
Fax: +86 21 2208 5682
china@spxboltingsystems.com

Aberdeen, UK

Howemoss Drive
Kirkhill Industrial Estate
Dyce AB21 0GL
Tel: +44 1224 722 895
Fax: +44 1224 729 712
Aberdeen@spxboltingsystems.com

Perth, Australia

Unit 1 / 11, Karratha Street
Welshpool, 6106
Perth, Western Australia
Tel: +61 8 9358 6699
Fax: +61 8 9358 6700
australia@spxboltingsystems.com

CUSTOMER SERVICE CENTERS

Rockford, Illinois USA

5885 11th Street
Rockford, IL 61109 USA
Tel: +1 815 874 5556
Fax: +1 800 288 7031
info@spxboltingsystems.com

Asia Pacific Headquarters

26 Soon Lee Road
Singapore 628086, Singapore
Customer Service
Tel: +65 6265 3343
Fax: +65 6265 6646
singapore@spxboltingsystems.com

European Headquarters

Albert Thijsstraat 12
6471 WX Eygelshoven
The Netherlands
Tel: +31 45 567 8877
Fax: +31 45 567 8878
europe@spxboltingsystems.com

SPX HYDRAULIC TECHNOLOGIES
spxhydraulictech.com
spxboltingsystems.com